

VALVOLE A FARFALLA WAFER E LUG

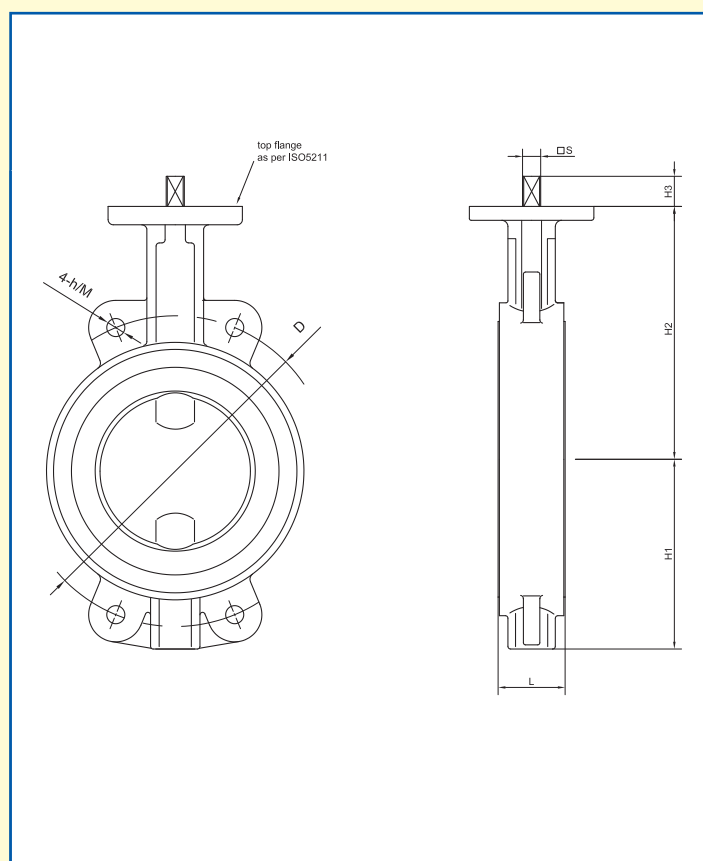
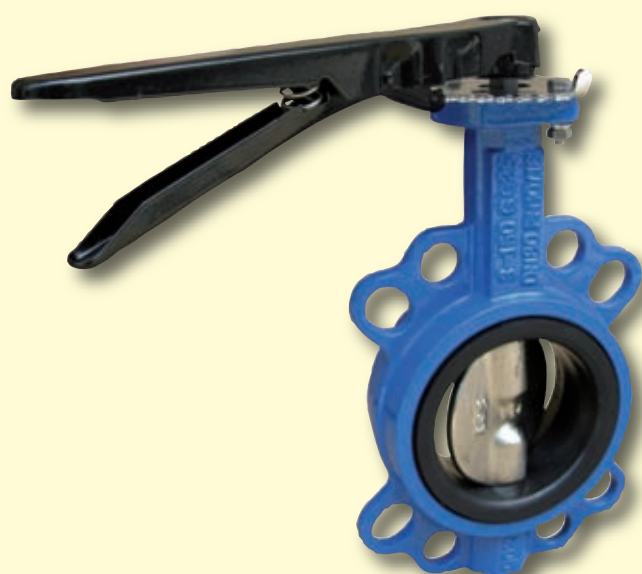
SERIE VFWM

WAFER AND LUG BUTTERFLY VALVES



VALVOLE WAFER

WAFER VALVES

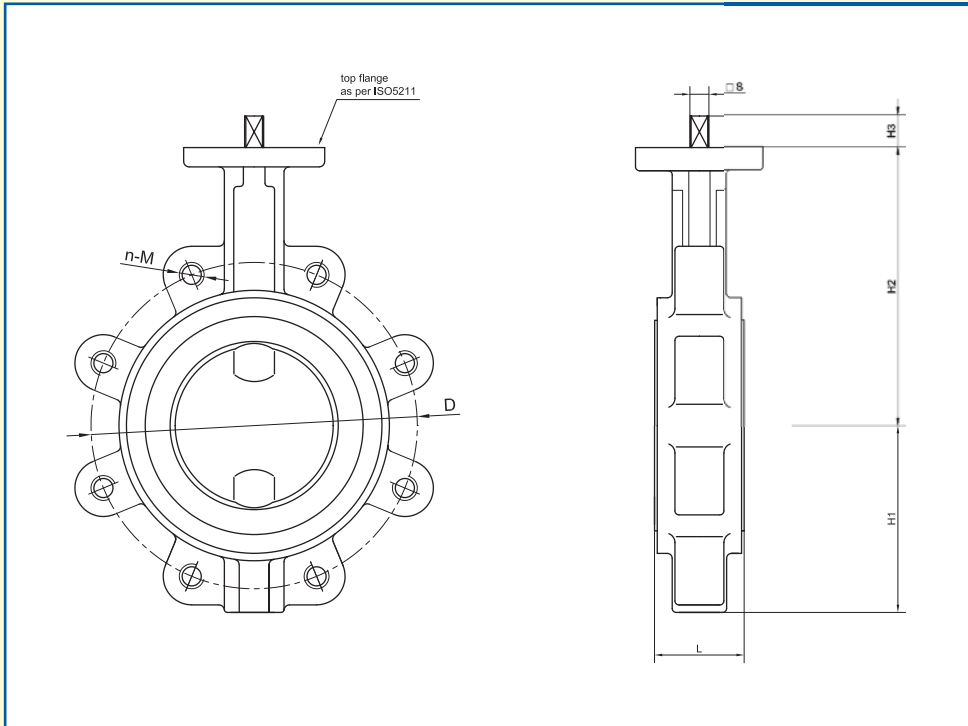
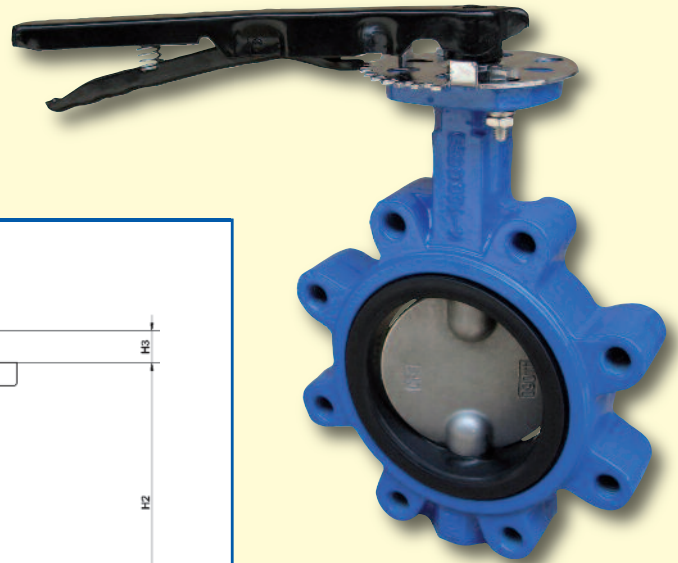


Dimensioni

Dimensions

Valve Size		L	H1	H2	H3	□S	D			4-h/M		TOP FLANGE TO ISO5211	
DN	inch						ANSI 125/150	PN10	PN16	ANSI 125/150	PN10		PN16
40	1½"	33	63	125	32	9	98,4	110	110	16	18	18	F05
50	2	42	66	130	32	9 / 11	120,7	125	125	19	18	18	F05
65	2½	45	82	141	32	9 / 11	139,7	145	145	19	18	18	F05
80	3	45	90	148	32	9 / 11	152,4	160	160	19	18	18	F05
100	4	52	108	170	33	11	190,5	180	180	19	18	18	F07
125	5	54	123	187	33	14	215,9	210	210	22	18	18	F07
150	6	56	138	202	33	14	241,3	240	240	22	22	22	F07
200	8	60	170	238	39	17	298,5	295	295	22	22	22	F10
250	10	66	200	272	39	22	362	350	355	25	22	26	F10
300	12	77	236	305	39	22	431,8	400	410	25	22	26	F10
350	14	77	266	368	40	22	476,3	460	470	29	22	26	F10
400	16	86	301	400	42	33*	539,8	515	525	29	26	30	F14
450	18	105	317	422	42	37*	577,9	565	585	32	26	30	F14
500	20	130	361	480	55	39*	635	620	650	32	26	33	F16
600	24	152	459	562	60	48*	749,3	725	770	35	30	36	F16
700	28	165	520	624	75	55*	863,6	840	840	35	30	36	F25
800	32	190	591	672	75	55*	977,9	950	950	UNC 1½"	33	39	F25
900	36	207	656	720	96	70*	1085,9	1050	1050	UNC 1½"	M30	M36	F25
1000	40	216	721	800	102	78*	1200	1160	1170	UNC 1½"	M33	M39	F30

VALVOLE LUG LUG VALVES



Dimensioni

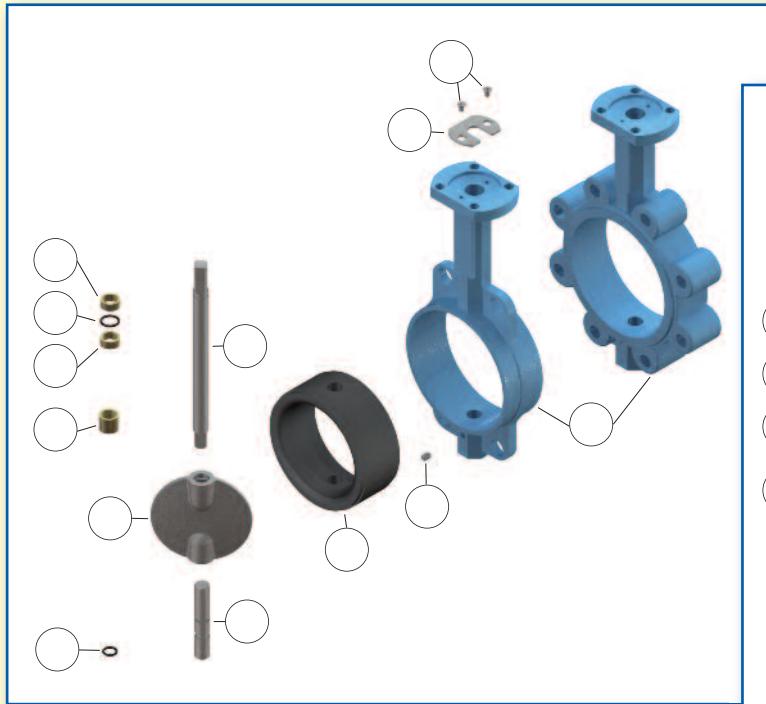
Dimensions

Valve Size		L	H1	H2	H3	□S	D			n-M			TOP FLANGE TO ISO5211
DN	inch						ANSI 125/150	PN10	PN16	ANSI 125/150	PN10	PN16	
50	2	42	66	130	32	9 / 11	120,7	125	125	4X 5/8-11UNC-2B	4-M16	4-M16	F05
65	2½	45	82	141	32	9 / 11	139,7	145	145	4X 5/8-11UNC-2B	4-M16	4-M16	F05
80	3	45	90	148	32	9 / 11	152,4	160	160	4X 5/8-11UNC-2B	4-M16	8-M16	F05
100	4	52	108	170	33	11	190,5	180	180	8X 5/8-11UNC-2B	8-M16	8-M16	F07
125	5	54	123	187	33	14	215,9	210	210	8X 3/4-10UNC-2B	8-M16	8-M16	F07
150	6	56	138	202	33	14	241,3	240	240	8X 3/4-10UNC-2B	8-M20	8-M20	F07
200	8	60	170	238	39	17	298,5	295	295	8X 3/4-10UNC-2B	8-M20	12-M20	F10
250	10	66	200	272	39	22	362	350	355	12X 7/8-9UNC-2B	12-M20	12-M24	F10
300	12	77	236	305	39	22	431,8	400	410	12X 7/8-9UNC-2B	12-M20	12-M24	F10
350	14	77	266	368	40	22	476,3	460	470	12X 1-8UNC-2B	16-M20	16-M24	F10
400	16	86	301	400	42	33*	539,8	515	525	16X 1-8UNC-2B	16-M24	16-M27	F14
450	18	105	317	422	42	37*	577,9	565	585	16X 1 1/8-7UNC-2B	20-M24	20-M27	F14
500	20	130	361	480	55	39*	635	620	650	16X 1 1/8-7UNC-2B	20-M24	20-M30	F16
600	24	152	459	562	60	48*	749,3	725	770	16X 1 1/4-7UNC-2B	20-M27	20-M33	F16

Note: All dimensions marked with "*" are referring the Max. diameter of shafts.

VALVOLE A FARFALLA WAFER E LUG

WAFER AND LUG BUTTERFLY VALVES



Lista dei materiali

List of material

Items	DESCRIZIONE	MATERIALE - MATERIALS	ASTM	Note	
1	Corpo Body	Ghisa Grigia GG25 DIN1639 - <i>Cast Iron</i>	ASTM A126 CLASS B		
		Ghisa Sferoidale GGG40 (DIN1639) <i>Ductile Iron</i>	ASTM A536 GR.65-45-18		
		Acciaio al Carbonio GS-C25 (DIN 17245) - <i>Carbon Steel</i>	WCB ASTM A216		
		Acciaio Inox CF8M - <i>Stainless Steel</i>	ASTM A351		
2 & 4	Stelo Shaft	Acciaio Inox SS416 - <i>Stainless Steel</i>	ASTM A476		
		Acciaio Inox SS316/410/420			
3	Disco Disc	Stainless Steel	ASTM A536 GR.65-45-18	Nickel plated (Nylon 11 coated as opt.) Electropolished (mirror finished) as optional	
		Ghisa Sferoidale GGG40 (DIN1639) <i>Ductile Iron</i>			
		Acciaio Inox - <i>Stainless Steel</i>			ASTM A351 CF8M
		Bronzo Alluminio - <i>Alu-Bronze</i>	B148-954		
5 & 7	Bussola super. e infer. <i>Upper and Lower Bushing</i>	Teflon® con grafite Teflon® w/ graphite			
6,8 & 13	O Ring	Buna - Viton®			
9	Tenuta Seat	NBR (BUNA)		-10°C +80°C	
		EPDM		-20°C +120°C	
		EPT		-20°C +140°C	
		PTFE over EPDM		-20°C +120°C	
		SILICON		-30°C +150°C	
		VITON®		-18°C +200°C	
10	Vite bloccaggio stelo inf. <i>Lower stem retainer Screw</i>	Acciaio Inox <i>Stainless steel</i>			
11	Piastrina bloccaggio stelo <i>Stem Retainer Plate</i>	Acciaio Inox <i>Stainless steel</i>			
12 & 15	Viti - <i>Screws</i>	Acciaio Inox - <i>Stainless steel</i>			
14	Coperchio Inferiore End Cover	Ghisa GG25 Cast Iron			
		Acciaio Inox - <i>Stainless steel</i>			